

NTB0801E-POE

8 Ports PoE Ethernet Switch

802.3af/at, 6KV Lightning Protection

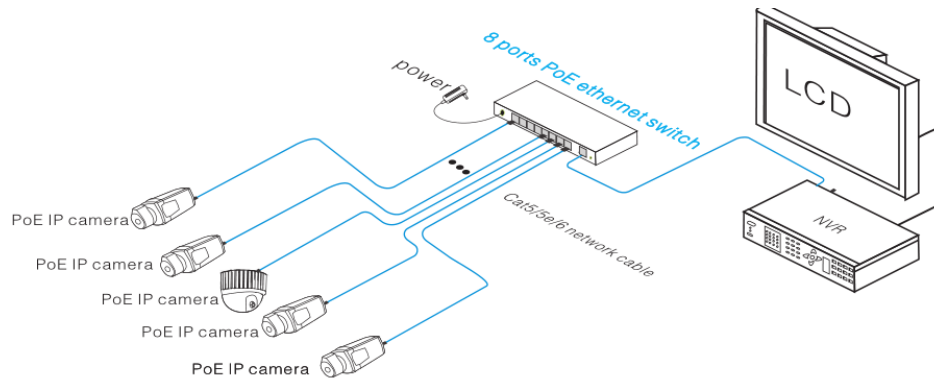
The NTB0801E-POE 8 ports Ethernet switch is a security surveillance Ethernet Switch which aims at Ethernet High Definition surveillance and Ethernet project security system. The product fully combines the characteristics of security surveillance, provides fast packet forwarding ability and abundant backplane bandwidth, which ensures clear image and fluent transmission. ESD and surge protection circuit can improve product stability. The product supports one key prevent the viral transmission and Ethernet attack, fully satisfy the Ethernet Video security surveillance system and Ethernet project needs.



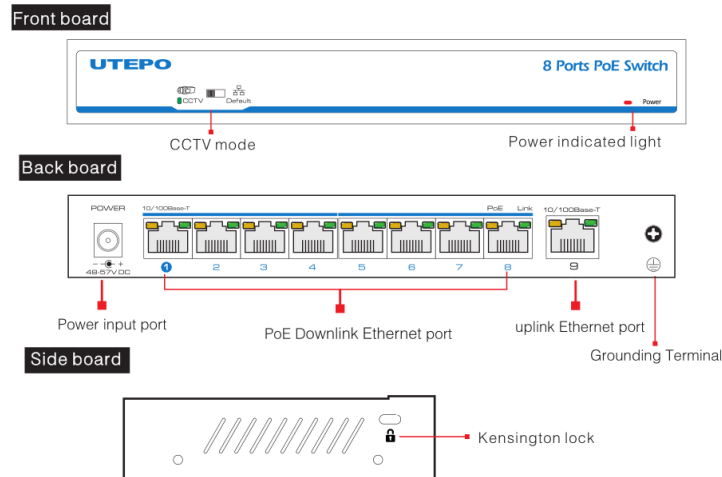
Product Features

- 1 * 100Mbps uplink Ethernet port, 8 * 100Mbps downlink Ethernet port, every port supports MDI/MDIX
- One key CCTV mode, 1~8 downlink ports can only communicate with uplink ports. Prevent network storm under 3Mbps, Extend downlink ports transmission distance to 250m
- Power input: DC48V~57V
- Standards: IEEE802.3, IEEE802.3u, IEEE802.3 af/at
- PoE use End-Span, the spare cable can be of other use
- Protection: Excellent anti-thunder, anti-static and anti-interference ability
- Appearance: Delicate design and easy installation, configure the anti-theft lock hole, guard against theft
- Plug and Play Operation, No Setting required

Application



Physical Features



Product Contents

The product comes with the following:

- NTB0801E-POE (1 pc)
- Power Adapter (1 pc)
- Accessories (1 pc)
- User Manual (1 pc)

Hardware Specifications

	Item	Description			
Power	Power Supply	Power Adapter			
	Voltage Range	DC48V ~ 54V			
	Consumption	< 5W			
Ethernet	Speed	1~8 ports Default: 10/100Mbps CCTV: 10Mbps Uplink: 100Mbps			
	Transmission Distance	1~8 ports Default: 0~100m CCTV: 0~250m Uplink: 0~100m			
Network Switch	Ethernet Standards	IEEE802.3, IEEE802.3u, IEEE802.3af/at			
	Exchange Capacity	1.8Gbps			
	Package Forwarding Rate	1.34Mpps			
	Packet Buffer	768K			
	MAC	2K			
Status Indicator	Power Light	1 Pc (Red)			
	Ethernet Port Light	2pc (Yellow & Green) on RJ45, yellow indicates PoE, Green indicates Link/Act			
	CCTV Mode Light	1pc (Green), Green indicates CCTV			
Protection Level	Pulse Group	Level 3 Standard: IEC61000-4-4			
	ESD	6KV/8KV Standard: IEC61000-4-2			
	Lightning protection	6KV Standard: IEC61000-4-5			
Working Environment	Operating Temperature	-10°C~55°C			
	Storage Temperature	-40°C~85°C			
	Humidity	0%-95% (non-condensing)			
Mechanical	Dimension (L×W×H)	200mm × 101.8mm × 27mm			
	Outer shell	Galvanized sheet			
	Color	Grey			
	Weight	500g			
Power/Distance 54V	Distance	100m	150m	200m	250m
	Power	26W	24W	23W	21W

Related Products

- ❖ 16 Ports PoE Fast Unmanaged Ethernet Switch– NTB1602E-POE