

NTB7224E-POE-L2

24 PoE Ports Managed Ethernet Switch

The NTB7224E-POE-L2 24 ports Ethernet PoE switch is a managed switch, which provides 4 Gigabit uplink ports (2x Gigabit Ethernet, 2x Gigabit SFP optical), and 24 PoE Ethernet ports.

The switch is designed for high definition IP camera data transmission and PoE power supply which complies with IEEE802.3af/at standard. Each port supports a maximum output of 30W, and a total power output of 380W for all 24 ports. The product comes with an easy-to-use web management interface - with QOS, VLAN, TRUNK, spanning tree and other network management features. The transmission distance per network port can go up to 150m, far exceeding the limitation of 100m on the traditional switch, and thus extending the range of products that can be covered. Last but not least, the stability of the switch is greatly enhanced by the U.S. industrial Marvell chip.

The NTB7224E-POE-L2 has excellent features and quality as compared to ordinary network switches. It supports optical and Ethernet Combo uplink ports, extended distance transmission of PoE+ Ethernet ports, user-friendly web-based management interface, superior lightning protection and anti-interference ability which fits well into a complex environment. It also has a high Performance/Price ratio as compared to other products in video surveillance networks and other IoT applications.



Product Features

- RJ45 ports with 30u Gold-plated flattened pins
- 24 x 10/100/1000T Ethernet ports, with PoE+ (IEEE802.3af/at) 150m extended distance
- 2 optical and 2 Ethernet Combo uplink ports
- Superior performance Industrial-grade Chip
- User-friendly, web-based layer 2 network management

Highlights

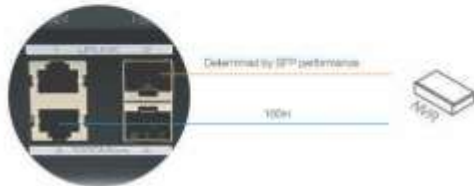
Industrial-Level Chip Superior Performance .1

Adopt industrial MARVELL chip solution, backplane bandwidth up to 70Gbps, convenient for data processing of surveillance system.



2. Hybrid Fiber and Ethernet Gigabit uplink

Gigabit hybrid fiber and Ethernet uplink ports design, SFP fiber port, convenient for remote transmission of system; Ethernet port, convenient for local monitoring and data backup.



PoE+ 150m Downlink Ports .3

Provide 24x100Mbps 150m PoE+ downlink ports, meet needs of multi-channel PoE IP camera; Support IEEE802.3 at/at standard, Max. 30W power, meet needs of high power camera; Support IEEE802.3X full-duplex flow control and Auto MDI/MDIX function.



4. 6KV Lightning protection Level 3 ESD

6KV lightning protection standard, level 3 ESD to ensure a stable and reliable operation environment.



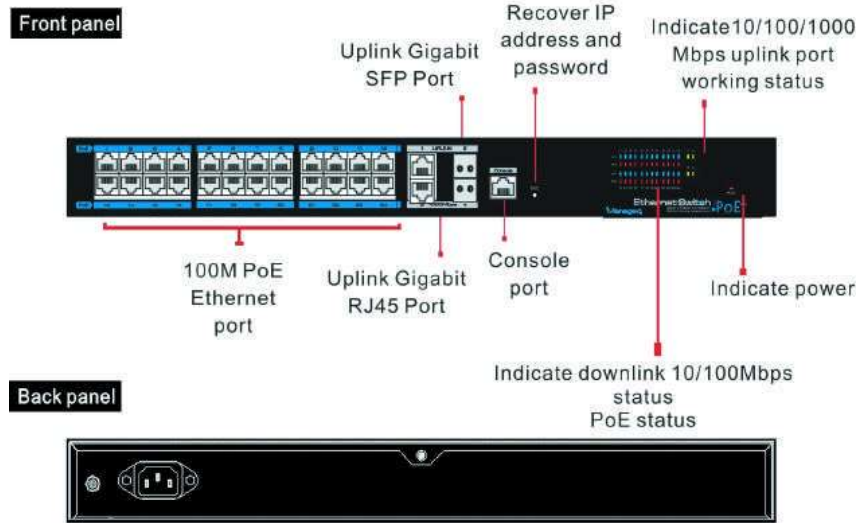
Web Management Real-time Surveillance .5

Advanced Web management function, support IEEE802.1Q, priority-based CoS strategies, VLAN, port convergence, spanning tree and other layer 2 management functions; User-friendly Web interface, easy operation, convenient for maintenance personnel to manage and control terminal network devices.

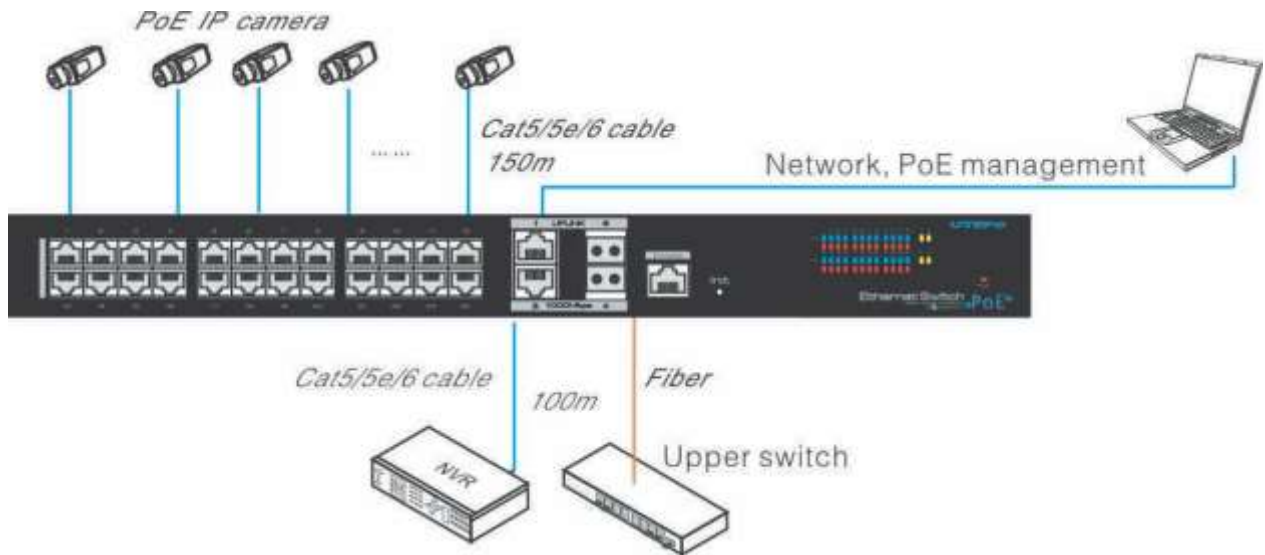


Application

24 Ports Managed PoE Ethernet Switch Board Diagram



Board Diagram



Technical Specifications

Item		Description
Power	Power Supply	Mains on load
	Voltage Range	100~240 VAC
	Power Consumption	430W (full load)
Ethernet	Ethernet Port	1~24 ports: 10/100Mbps, adaptive control UPLINK Ethernet port: 10/100/1000Mbps SFP port: 1000Mbps optical fiber module
	Transmission Distance	1~24 ports: 150m max. UPLINK Ethernet port: 100m max. SFP port: depends on the optical module used
	PoE Protocol	IEEE802.3af, IEEE802.3at
	PoE Type	End-span
	PoE Power Output	Each ports≤30W, Total≤380W
Network	Standards	IEEE802.3 10BASE-T, IEEE802.3u 100BASE-TX, IEEE802.3ab 1000BASE-T, IEEE802.3z 1000BASE-SX\LX
	Switching Capacity	16G
Management	Layer	Layer 2 Management
Surge Protection	ESD	Level 3, Per: IEC61000-4-2
	Communications Port	Level 3, Per: IEC61000-4-5
Operating Conditions	Operating temperature	0°C~55°C
	Storage temperature	-40°C~85°C
	Relative humidity	0%~95% (non-condensing)
Mechanical	Dimension (L×W×H)	442mm × 263mm × 44.5mm
	Material	Sheet metal
	Color	Black
	Weight	3.73kg